

SF Port EQ

Köpmangatan 1 B
SE-722 15 Västerås
Sweden

Phone: +46 21 120 155
Email: spreaders@sfporteq.com



HIGH
QUALITY
SPREADERS
AS PER THE
DEMANDS
IN THE
WORLD
MARKETS



A comprehensive range of quality spreaders designed to meet the requirements of the most demanding customers.

CONTENTS

■ Welcome to SF Port EQ	5
■ The Spreader Professionals	7
■ Spreaders	9
■ Yard Spreaders	10
■ Ship to Shore Spreaders	12
■ Intermodal Spreaders	14
■ Mobile Harbour Spreaders	16
■ Spare Parts	19
■ Miscellaneous Facilities Provided	21
■ Log Unit	23
■ 2 x 20 Detection System	25
■ Training of Personnel	27
■ Commissioning	27
■ Maintenance, Refurbishing, Repair	27
■ SF Port EQ Head office	29
■ Partners and Agents	31

Welcome to SF Port EQ.

SF Port EQ, although young when it comes to number of years in operation, has through its employees' former engagement in, *inter alia*, SweFrame Port Equipment a massive experience from designing, manufacturing, marketing, and servicing SF Port EQ spreaders worldwide.

SF Port EQ has a robust, expanding, portfolio of spreaders and has almost unlimited production capabilities in state of the art manufacturing facilities. Spreaders not in the portfolio will be designed as per the customers' requirements.

SF Port EQ is also providing spare parts to SF Port EQ spreaders and spreaders of other brands.

SF Port EQ has the competence, ambition and reputation to satisfy, at competitive prices, demanding customers' requirements for quality spreaders with high capabilities and a minimum of downtime.

SF Port EQ is also supporting its customers by providing **2 x 20 Detection Systems** reducing the risk for accidents by not in time detecting two 20ft containers beneath the spreader interfering with its operation. Enhancing safety is a priority for SF Port EQ.

SF Port EQ is also providing the SF Port EQ Log unit collecting data from the operation of the spreader which analyzed will give a true picture of the performance of the spreader. Providing a tool for enhancing the efficiency of the handling of containers is a priority for SF Port EQ.

SF Port EQ is taking orders in fair competition with other spreader manufacturers and suppliers of accessories to the container handling community.

Welcome to
SF Port EQ



SF Port EQ, based in Sweden, is an independent company specialized in container handling equipment.

SF Port EQ has engaged some of the most experienced spreader professionals in the world to create high quality spreaders for the demanding container handling environment. The management team has extensive experience in developing and running leading global companies. The production team has decades of experience in developing, producing, and servicing spreaders for the global market.

SF Port EQ's strategy is to be a company focused on spreaders, independent of any OEM and other parties in the business.

SF Port EQ wants to be accepted as a partner of the customers providing the customers with support to their operators and service to their spreaders ensuring optimal uptime and the very best profitability.

THE
SPREADER
PROFESSIONALS

SPREADERS

Yard Spreaders

Ship to Shore
Spreaders

Intermodal
Spreaders

Mobile Harbour
Spreaders

THE spreaders manufactured by SF Port EQ meet the most stringent specifications laid down by the container industry and conform to international standards.

The spreaders are designed and produced by people who have been committed to building spreaders in Sweden for many years.

The company, being located in Sweden, renowned for its high quality steel production, uses only the best grades of steel for manufacturing the spreaders.

The objective of SF Port EQ is to produce spreaders maximizing the operators' convenience yet keeping it as simple and easy as possible for maintenance and upkeep.

The present range of spreaders manufactured by SF Port EQ are presented in the following pages.



Yard Spreaders

SF Port EQ Yard Spreaders are the spreaders needed for the handling of 20, 20+20, 40 and 45 feet containers in container yards.

They have

- High lifting capacity
- Low tare weight
- Low power consumption
- Twistlocks individually operated and monitored and without adjustments of mechanics or sensors
- Buffers on stainless steel base
- Access to transmissions in all telescopic positions
- High telescoping speed to suit yard application

Our standard Yard spreaders are

- Single Lift Electrical model Y40-E and Y45-E
- Single Lift Hydraulic model Y40-H and Y45-H
- Twin Lift Hydraulic models Y40T-H and Y45T-H
- Expandable Twin model Y45ET-H

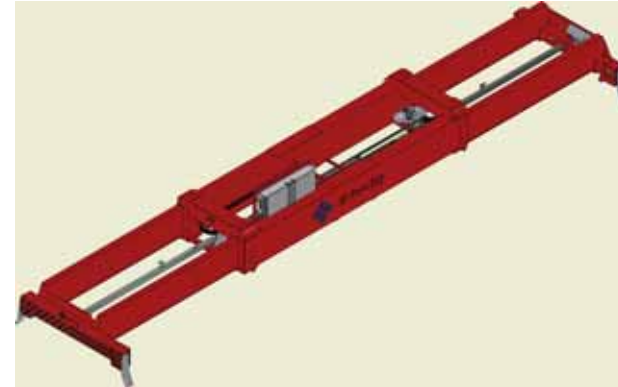
all with ISO twistlocks.

When developing these spreaders focus has been on finding simple solutions and keeping the weight down.

The main structure holds all components well protected from forces from the outside.

The twistlocks are operated and monitored individually for increased reliability.

Through the design special attention has been given to, as much as possible, maximize availability and simplify maintenance.



PRODUCTS

Yard Spreaders Single, Twin and Expandable

Common properties for all SF Port EQ Yard Spreaders

Lifting capacity in accordance with EN 13001	
evenly loaded ($\leq 10\%$ eccentricity)	50 T
for twin spreaders	2 x 25 T
Twistlock rotation time	< 1 s
Flippertime for 180 dgr	4-6 s
Flipper torque	5500 Nm
Main Voltage	400 VAC or as per request
Main Voltage frequency	50 HZ or as per request
Control voltage Internal	24 VDC or as per request
Crane interface	as per request

Specific properties for various SF Port EQ Yard spreaders

	Y40-E	Y45-E	Y40-H	Y45-H	Y40T-H	Y45T-H	Y45ET-H
Tare weight	5.5 T	6.2 T	6.8 T	7.0 T	7.3 T	8.0 T	9.3 T
Telescopic time	20 s	25 s	23 s	28 s	23 s	28 s	28 s
Power Consumption	4.0 kW	4.0 kW	5.5 kW	5.5 kW	7.5 kW	7.5 kW	7.5 kW

Ship to Shore Spreaders

SF Port EQ Ship to Shore spreaders are the heavy duty needed for handling 20, 20+20, 40 and 45 feet containers in harsh environmentally challenging environments.

They have

- High lifting capacity
- Low tare weight
- Low power consumption – for a hydraulic unit
- Open access to service points
- Vulnerable parts protected by the main structure
- Twistlock system without mechanical/sensor adjustment requirements
- Fewer components, in particular bolted parts

Our standard Ship to Shore spreaders are

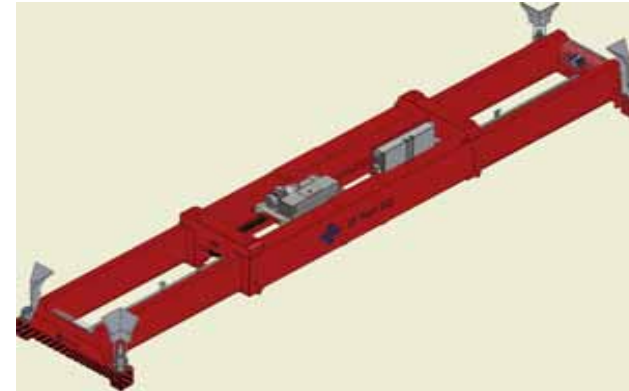
- Single Lift Hydraulic models S40-H and S45-H
- Single Twin Lift Hydraulic models S40T-H and S45T-H
- Expandable Twin Lift S45ET-H

all with ISO twistlocks.

These spreaders are hydraulic work horses, based on proven technology and the right choice of material when high availability, simplicity and maintenance friendly solutions are essential.

When developing these spreaders focus has been on finding simple solutions and keeping the weight down.

The twistlocks are operated and monitored individually for increased reliability.



PRODUCTS

Ship to Shore
Spreaders
Single, Twin and
Expandable

Common properties for all SF Port EQ Ship to Shore Spreaders

Lifting capacity in accordance with EN13001	
evenly loaded ($\leq 10\%$ eccentricity)	55 T
for twin spreaders	2 x 35 T
Twistlock rotation time	< 1 s
Flippertime for 180 dgr	4-6 s
Flipper torque	5500 Nm
Main Voltage	400 VAC or as per request
Main Voltage frequency	50 HZ or as per request
Control voltage Internal	24 VDC or as per request
Crane interface	as per request

Specific properties for various SF Port EQ Ship to Shore spreaders

	S40-H	S45-H	S40T-H	S45T-H	S45ET-H
Tare weight	8.0 T	8.8 T	9.0 T	9.7 T	11.1 T
Telescopic time					
to 40 ft	23 s		23 s		23 s
to 45 ft		28 s		28 s	28 s
Power Consumption	5.5 kW	5.5 kW	7.5 kW	7.5 kW	7.5 kW

Intermodal Spreaders

SF Port EQ Intermodal spreaders combines the best of the Yard spreaders and the Ship to Shore spreaders for handling 20 to 45 feet containers when weight is an important factor and simplicity and maintenance friendliness is in demand.

These Intermodal spreaders have

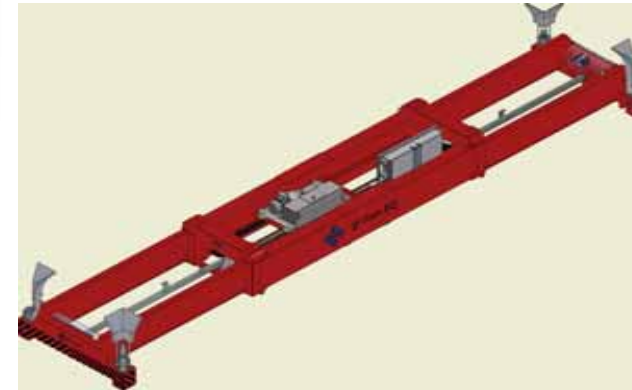
- High lifting capacity
- Low tare weight
- Low power consumption – for a hydraulic unit
- Open access to service point
- Vulnerable parts protected by the structure
- Twistlock system without mechanical or sensor adjustment requirements

Our standard Intermodal spreaders are

- Light Single Lift Hydraulic models I40-H and I45-H
- Light Twin Lift Hydraulic I40T-H and I45T-H
- Light Expandable Twin I45ET-H

all with ISO twistlocks.

When designing these spreaders simplicity and maintenance friendliness have been in focus



PRODUCTS

Intermodal
Spreaders
Light Twin Lift Hydraulic

Common properties for all SF Port EQ Intermodal Spreaders

Lifting capacity in accordance with EN13001	45 T
evenly loaded ($\leq 10\%$ eccentricity)	45 T
for twin spreaders	2 x 25 T
Twistlock rotation time	< 1 s
Flippertime for 180 dgr	4-6 s
Flipper torque	5500 Nm
Main Voltage,	400 VAC or per request
Main Voltage frequency	50 HZ or per request
Control voltage Internal	24 VDC
Crane interface	as per request

Specific properties for various SF Port EQ Intermodal Spreaders

	I40H	I45H	I40T-H	I45T-H	I45ET-H
Tare weight	6.9 T	7.6 T	7.8 T	8.5 T	9.9 T
Telescopic time to 40 ft	23 s		23 s		18 s
to 45 ft		28 s		28 s	28 s
Power Consumption	5.5 kW	5.5 kW	7.5 kW	7.5 kW	7.5 kW

Mobile Harbor Spreaders

SF Port EQ Mobile Harbor spreaders are designed to serve where the demand on robustness and versatility is high. It is designed to handle 20 to 45 as well as 2 x 20 feet containers. They are based on proven technology to give the spreader the required strength and endurance required from this kind of spreaders.

These Mobile Harbor Spreaders have

- High lifting capacity
- Low tare weight
- Low power consumption – for a hydraulic unit
- Open access to service pointe
- Vulnerable parts protected by the structure
- Twistlock system without mechanical or sensor adjustment

Our standard Mobile Harbor spreaders are

- MHC Single Lift M40-H and M45-H
- MHC Twin Lift M40T-H and 45T-H

all with ISO twistlocks.

Throughout the design of these spreaders special attentions has been given to keep availability at a maximum making maintenance as simple as possible.



PRODUCTS

Mobile Harbor Spreaders Light Twin Lift Hydraulic

Common properties for all SF Port EQ Mobile Harbor Spreaders

Lifting capacity in accordance with EN13001	
evenly loaded ($\leq 10\%$ eccentricity)	50 T
for twin spreaders	2 x 25 T
Twistlock rotation time	<1 s
Twipweer movement +/- 1.3 m	20 s
Flippertime for 180 dgr	6 s
Flipper torque	5500 Nm
Main Voltage,	400 VAC or per request
Main Voltage frequency	50 HZ or per request
Control voltage Internal	24 VDC or as per request
Crane interface	as per request

Specific properties for various SF Port EQ Mobile Harbor Spreaders

	M40-H	M45-H	M40T-H	M45T-H
Tare weight	8.6 T	9.3 T	9.6 T	10.3 T
Telescopic time	23 s	28 s	23 s	28 s
Power Consumption	5.5 kW	5.5 kW	7.5 kW	7.5 kW

SF Port EQ assist its spreader customers to operate their spreaders at low costs by providing at spare parts at reasonable prices, not only to SF Port EQ spreaders but also to spreaders of other brands.

Our extensive stock enables us to normally respond quickly to our customer' spare part needs thereby reducing a possible downtime..

For spare part enquiries please e-mail spareparts@sfporteq.com

SPARE PARTS





SF Port EQ has the ambition not only to provide the very best spreaders guaranteeing their profitability through high quality, advanced, but robust, design and high efficiency.

The efficiency is not only depending on the spreader. It is also depending on how the spreader is operated and how the work is planned.

To help the customer to enhance the efficiency of the SF Port EQ spreaders, SF Port EQ offers **SF Port EQ Log Unit** a system for logging the various moments in the operation of the spreader and thereby create a structured basis for an analysis of the operation.

This is an accessory which can be installed on any spreader.

The profitability of our customers is important to us.

The safe and accident free operation of the spreader is even more important to SF Port EQ.

SF Port EQ is thus happy to offer the SF Port EQ **2 x 20 Detection System** which is designed to increase the safety in the spreader operations. It make the operator of the spreader aware of the position of containers beneath the container being handled and potential gaps between those containers or height differences.

The SF Port EQ 2 x 20 Detection system can be installed on all spreaders

SF Port EQ recognizes the importance of investing in **training** of the personnel involved in the handling of containers, the importance of the correct **installation of equipment** purchased and the urgency of **maintenance, refurbishment and repair work** being carried out by skilled personnel and is thus offering these services.

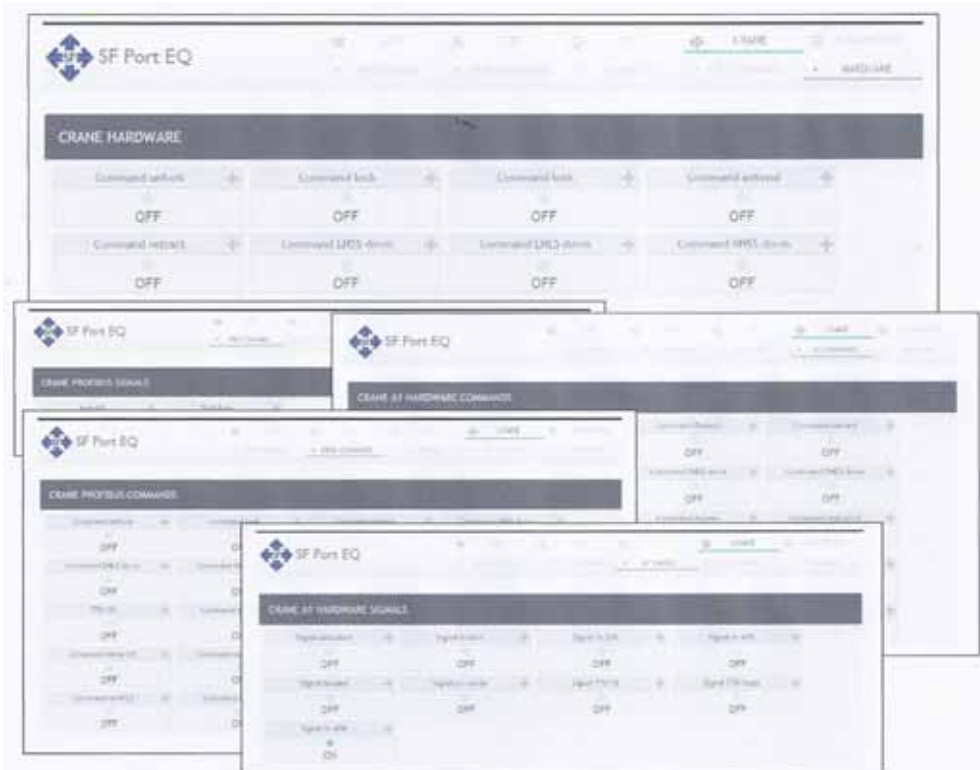
SF Port EQ is pleased to offer its customer the SF Port EQ Log Unit which will enable a detailed logging of the operation of the spreader.

An analysis of the data registered will give a clear picture of the efficiency of the operation of the spreader and be a basis for actions to be taken to enhance the efficiency and thus the profitability of the operation.

The Log Unit can be accessed by WiFi and the connected spreader can be monitored online.

This is a powerful tool for analyses and subsequent enhancement the efficiency of spreader.

LOG UNIT



2 X 20 DETECTION SYSTEM

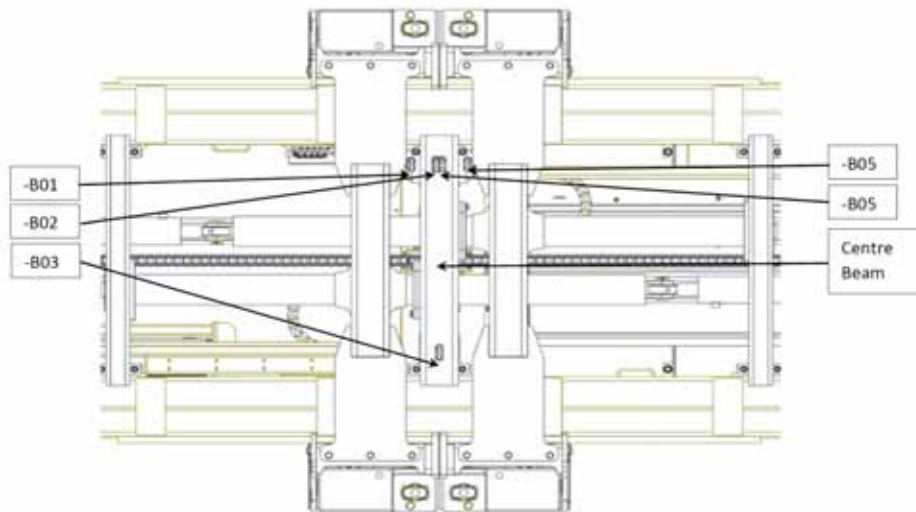
SF Port EQ gives the highest priority to the safety of their spreaders. It is considered throughout in the design of the spreader, the choice of material used and methods used when assembling the spreader.

Although the spreader is construed to be safe the human factor cannot be totally eliminated but the scope for human errors can be reduced.

A tool almost eliminating the accidents caused by the operator of the spreader not having control of the containers beneath the container he is handling may create hazardous situations. There might be a gap between two 20 ft container the operator is not aware of. Or there might be a difference in the top levels between the two containers.

SF Port EQ 2 x 20 Detection System is developed to eliminate to the largest possible extent hazardous situations endangering human lives and goods.

SF Port EQ 2 x 20 Detection System can, and should be installed on all spreaders.



View from beneath the Spreader.

2 x 20 Detection

3(10)

© copyright 2015



Training: For those terminals aiming at keeping downtime at a minimum and spending as little time as possible on corrective maintenance, it is essential to have correctly trained staff. A well trained maintenance organization is often a key to successfully keeping key performance indicators up in terms of productivity and availability.

SF Port EQ can offer training on spreaders for all levels of the organization, conducted by engineers with solid first hand experience of terminal service and who have been part of

Commissioning: Our spreaders are tailored to suit the customer's conditions and crane interfaces. To ensure that the spreader goes into service as smoothly as possible and that the customers expectations are met, SF Port EQ offers installation and commissioning by hand picked engineers specially trained for this assignment.

Maintenance, Refurbishment and Repair: The SF Port EQ spreaders have been designed with special attention given to maintenance, keeping it as simple as possible for those performing the maintenance. With decades of experience in designing spreaders, our engineers can assist and offer recommendations on existing equipment, as well as undertake refurbishments and upgrades, either in the customers' or our own premises. Please contact us directly for discussions and quotes regarding refurbishment, maintenance and repair.



Getting in touch with us

Head Office

SF Port EQ AB

Köpmangatan 1 B
SE-722 15 Västerås
Sweden

Phone: +46 21 120 155

Email: spreaders@sfporteq.com

Chairman, CEO

Rune Flinth

rune.flinth@sfporteq.com

Phone: +46 733 406 250 (Sweden)
+94 777 318 180 (Sri Lanka)

Managing Director

Christian Nilsson

christian.nilsson@sfporteq.com

Phone: +46 702 216 468

Sales

John Båtelsson

john.batelsson@sfporteq.com

Phone: +46 21 120 155

R&D - General

Anders Hellgren, Director

anders.hellgren@sfporteq.com

Phone: +46 723 097 348

R&D - Electronic

Andy Lewis

andy.lewis@sfporteq.com

Phone: +46 709 734 821

Technical Support

Bo Månsson

bo.mansson@sfporteq.com

Phone: +46 705 221 721

Production

Östen Johansson, Senior Advisor

osten.johansson@sfporteq.com

Phone: +46 705 440 917



Our International Partners

European Partners

The Netherlands
Inno Dock Support B V
3194 AL Hoogvliet
Roeterdam
The Netherlands

Contact Person:
Jacques den Herder
jdh@innodocksupport.com
Phone: + 31 6 362 85

Asian Partners

South East Asia Region Office

SF Terminal Solutions Pte Ltd

Block 192, Pandan Loop
Pantech Business Hub, #07-24
Singapore 128381

Phone: +65 6774 3138
Fax: +65 6774 3683
Email: sf_solutions@singnet.com.sg

Contact Person:
Oon Boon Peng
oon.boonpeng@sfporteq.com
Phone: +65 9828 5966

China, Hong Kong S A R,
Japan, Korea, Taiwan

Portro Co., Ltd

3rd fl, 52 Noksansaneopbuk-ro
Gangseo-gu
Busan
Korea

Contact Person:
B S Kim
Phone +82 10 5168 3941

Russia
Group 812, LLC
3 line, d. 44
St. Petersburg
Russia

Contact Person:
Mr. Sergey Zaika
sza@group812.com
Phone: + 7 921 949 2336
+ 7 812 919 1463

Indonesia, Malaysia, Myanmar,
Philippines, Singapore, Thailand,
Vietnam

SF Port EQ (SEA) Pte Ltd

Block 192, Pandan Loop
Pantech Business Hub #07-24
Singapore 128381

Contact Person:
Oon Boon Peng
oon.boonpeng@sfporteq.com
Phone: +65 9828 5966

Bangladesh, India, Maldives,
Sri Lanka

SF Port EQ (LK) (Pvt) Ltd.

Flinth Industrial Park
Ranmuthugala Estate
Kadawatha, Sri Lanka

Contact Person:
Rune Flinth
rune.flinth@sfporteq.com
Phone: +46 733 406 250 (Sweden)
+94 777 318 180 (Sri Lanka)