

THIS DRAWING SPECIFICATION IS THE PROPERTY OF VESPAV. IT IS CONFIDENTIAL AND NOT TO BE REPRODUCED OR TRANSMITTED IN ANY FORM OR BY ANY MEANS, ELECTRONIC OR MECHANICAL, INCLUDING PHOTOCOPYING, RECORDING, OR BY ANY INFORMATION STORAGE AND RETRIEVAL SYSTEM. ANY UNAUTHORIZED REPRODUCTION OR TRANSMISSION OF THIS DRAWING IS STRICTLY PROHIBITED. VESPAV IN OAKGROVE, ILL. TEL: (618) 431-7117 FAX: (618) 431-7118

3.2 SURFACE FINISH UNLESS OTHERWISE STATED

ALL DIMENSIONS IN MILLIMETRES UNLESS OTHERWISE STATED

DATE: 04.09.08.
SCALE: N.T.S.

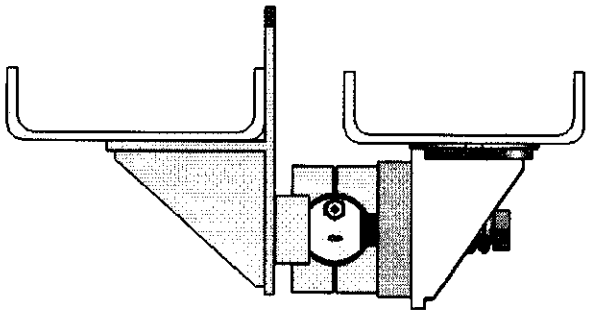
No OFF	G.C.
DRAWN BY:	0
CHECKED BY:	
MATERIAL:	
THIRD ANGLE PROJ.	

PROJECT: LFT1500

TITLE: LFT1500 SYSTEM WITH INVERTED CELLS

DRAWING / PART No. LFT1500_INV_CELLS REV. 0

NOTE: ASSEMBLY SHOWN TO BE USED FOR EXAMPLE PURPOSES ONLY



90mm BODY SPRING

SHOULDER BOLT

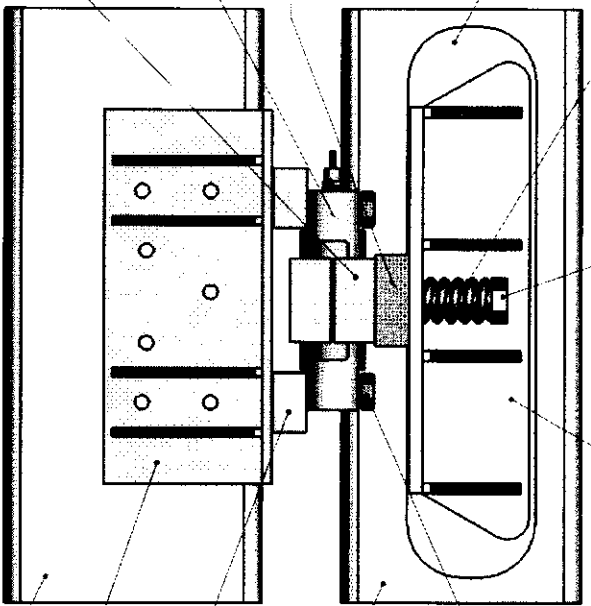
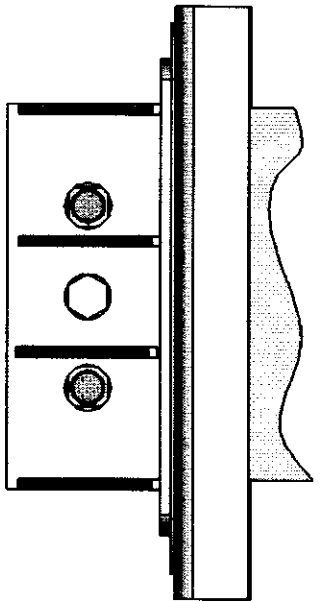
TOP BRACKET

STRENGTHNER PLATE

SPRING ADAPTER BLOCK

LOADCELL

LOADCELL CLAMPING BLOCKS



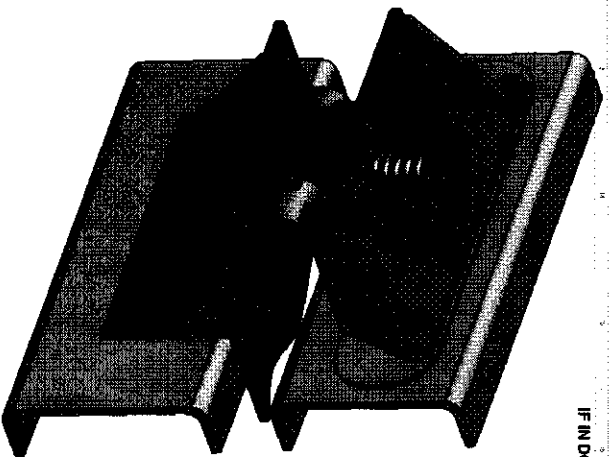
M24 BOLTS

BODY RAILS

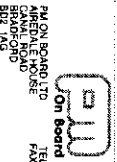
WELDING BLOCKS

BOTTOM BRACKET

CHASSIS RAILS



IF IN DOUBT ASK



OM BRAND
PACON BOARD LTD
AREDALE WORKS
BRADFORD
BD7 1AG

THIS DRAWING'S CREATION IS THE PROPERTY OF PACON BOARD LTD. IT IS CONFIDENTIAL AND NOT TO BE REPRODUCED OR COPIED IN ANY MANNER WITHOUT THE WRITTEN PERMISSION OF PACON BOARD LIMITED WITHOUT THEIR WRITTEN PERMISSION.

3.2

SURFACE FINISH UNLESS OTHERWISE STATED

TOLERANCES

NO DEC. PLCS ± 0.25mm
ONE DEC. PLG ± 0.10mm
TWO DEC. PLCS ± 0.05mm
ANGLES ± 2 DEG.



DATE: 29.09.03
ORIGINAL SCALE: NTS

No OFF

DRAWN BY: G.C.

ALL DIMS IN MM UNLESS OTHERWISE STATED
MATERIAL: DRAWING / PART No.
THIRD ANGLE PROJ.

TITLE:

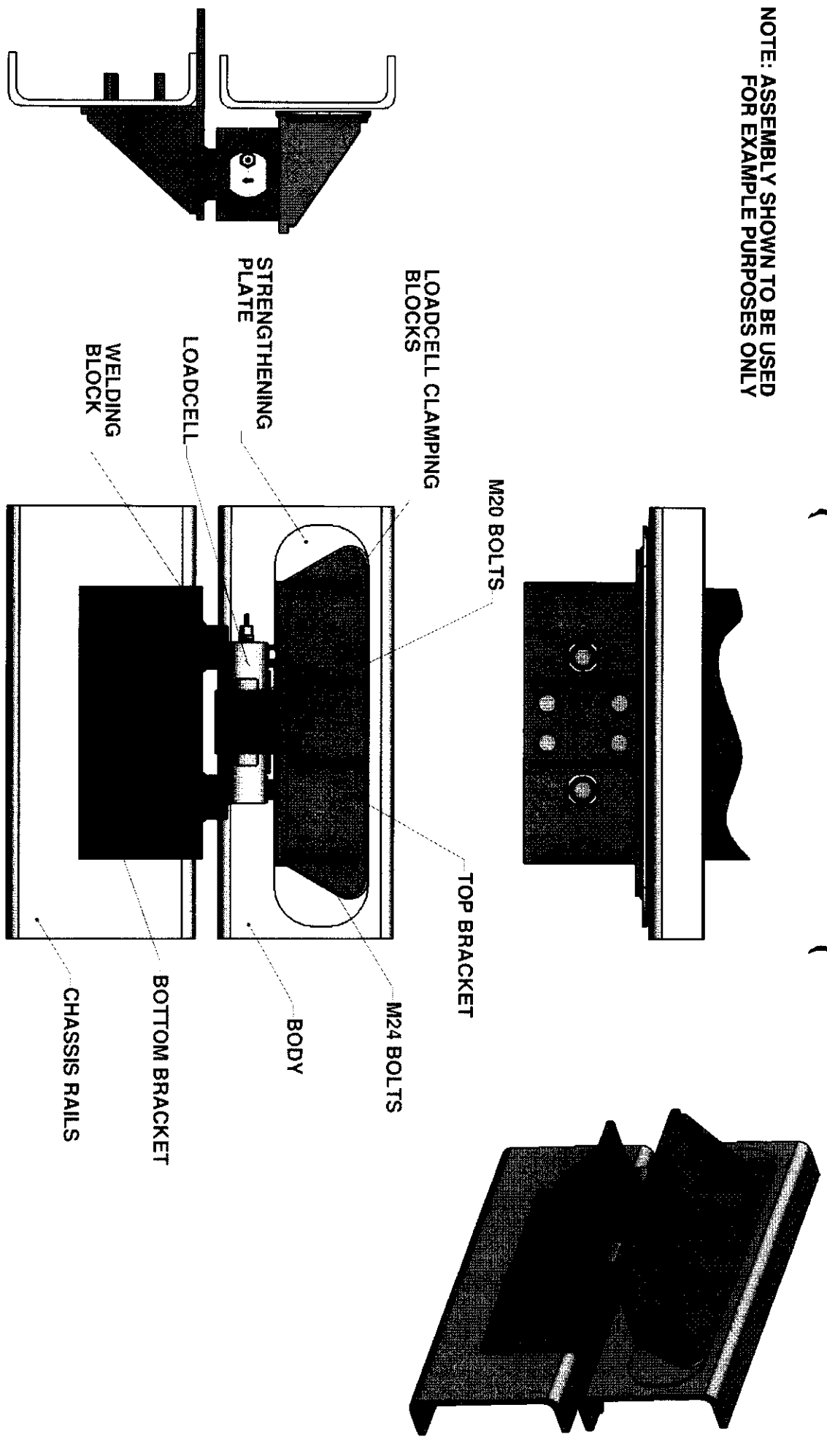
PROJECT NAME: LFT1500 WEIGHING SYSTEM


TYPICAL FLEXIBLE MNTG. ASSY

DRG-101987

A1

NOTE: ASSEMBLY SHOWN TO BE USED FOR EXAMPLE PURPOSES ONLY



 On Board
 P/ON BOARD LTD
 AIRDALE HOUSE
 BRADFORD
 BD7 1AG
 TEL: (01274) 71177
 FAX: (01274) 78178

THIS DRAWING/SPECIFICATION IS THE PROPERTY OF ON BOARD LTD AND IS NOT TO BE LOANED, REPRODUCED, COPIED, REPRODUCED, AND PROTECTED BY COPYRIGHT. IT IS NOT TO BE USED IN ANY MANNER WITHOUT THE WRITTEN PERMISSION OF P/ON BOARD LIMITED WITHOUT THEIR WRITTEN PERMISSION.

3.2
 SURFACE FINISH
 UNLESS
 OTHERWISE STATED

TOLERANCES
 NO DEC. PLCS ± 0.25mm
 ONE DEC. PLCS ± 0.10mm
 TWO DEC. PLCS ± 0.05mm
 ANGLES ± 2 DEG.

DATE: **29.09.03**
 ORIGINAL SCALE: **NTS**

DRAWN BY: **G.C.**
 ALL DIMS IN MM UNLESS OTHERWISE STATED
 MATERIAL:
 THIRD ANGLE PROJ.

PROJECT NAME: **LFT1500 WEIGHING SYSTEM**
 TITLE: **TYPICAL RIGID MNTG. ASSY**
DRG-101986

